



Trailer Mounted Z-Boom

TMZ-50/30



The ultimate in reach and range.



Industry Leading Design and Performance

Genie's trailer mounted booms are an excellent value in high-reach equipment. The TMZ-50/30 provides industry leading outreach and working range and the highest towing speed rating available. The TMZ-50/30 also provides many unique features, such as hydraulic outriggers, automatic machine leveling and an optional material lifting attachment.

Standard Features

135 Degree Jib Boom Working Range

A 4 ft 6 in (1.4 m) articulating jib boom allows you to position the platform above or below horizontal.



Easy to Transport

The TMZ is easily towed behind any vehicle with a class 3 hitch. Several hitch receptacles are available. Genie's maximum highway tow speed rating of 60 mph (97 km/h) is the highest in the industry, providing faster transportation to job sites.

Dual Pneumatic Jockey Wheels

Heavy-duty jockey wheels balance the TMZ for precise positioning of the machine during setup and transportation.

Large Outrigger Footpads

The outriggers incorporate large 10 x 10 in (25 x 25 cm) non-marking footpads for use on sensitive flooring and in rough terrain job sites.



Easy-To-Read Controls

Both ground controls and platform controls feature an easy-to-use system. The control buttons are logically positioned around an image of the machine for easy identification of button functions.

Fully Enclosed Cable Track System

The fully enclosed cable track system protects electrical and hydraulic lines from debris and damage, providing a high level of durability against rough job site environments.

Generator Interface Area

Generators up to 24 x 20 x 16 1/2 in (61 x 51 x 42 cm) fit perfectly in the TMZ's generator interface area. The junction box and shelf are standard.

Swing-Out Battery Trays

Swing-out trays provide the best accessibility to batteries in the industry. Lockable, hinged covers provide security.



Options and Accessories

Material Lifting

A quick-disconnect platform and material lift hook attachment allow you to easily convert the Genie TMZ into a material lift capable of raising 500 lb (227 kg).



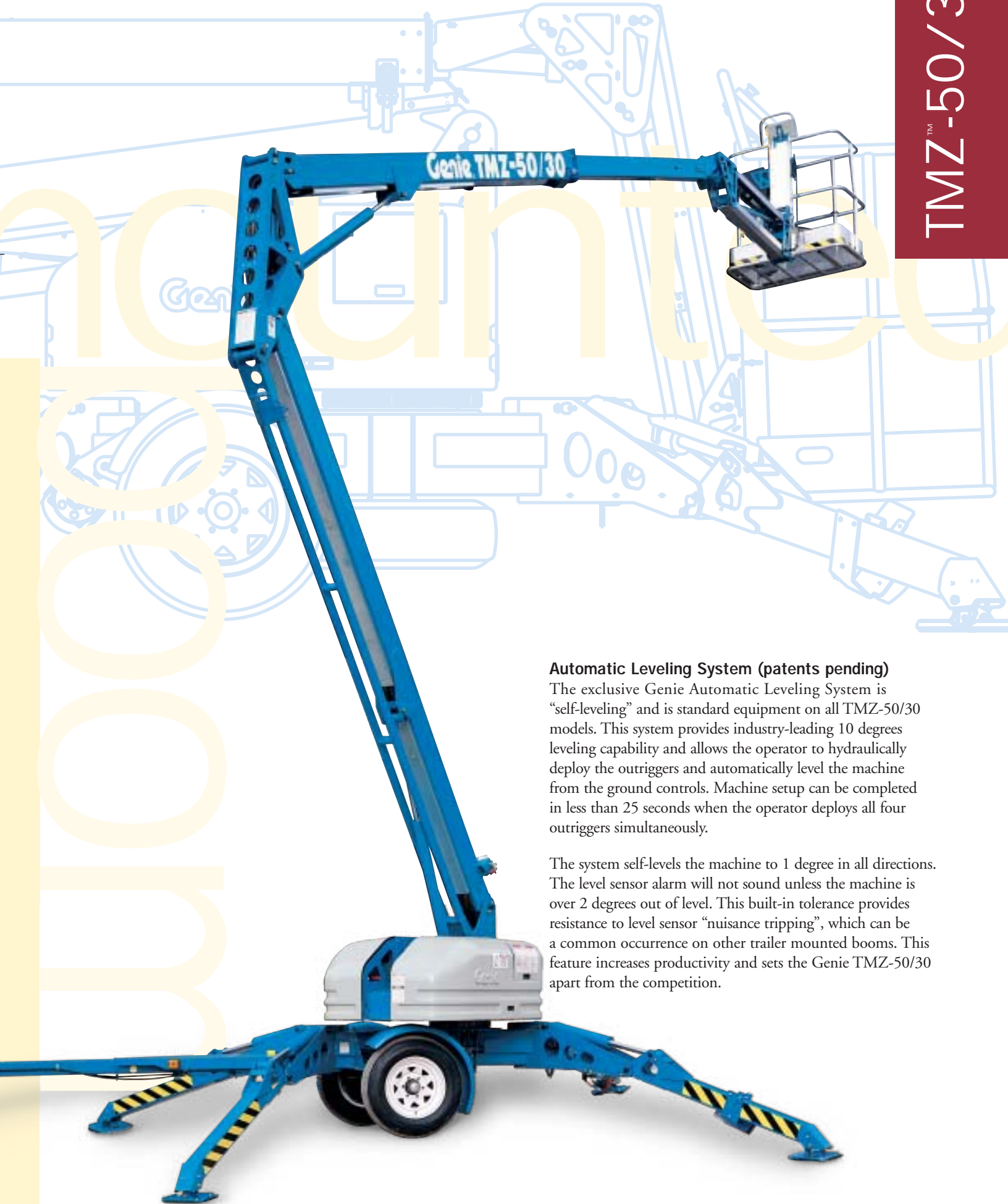
Drive and Set Option

The drive and set option provides the ability to drive the TMZ-50/30 from the platform when it is in the fully lowered position. The drive and set option also provides outrigger deploying, retracting and automatic leveling functions from the platform when it is fully lowered.

Platform Rotation

A manual rotate mechanism allows the operator to rotate the platform 45 degrees horizontally in each direction.





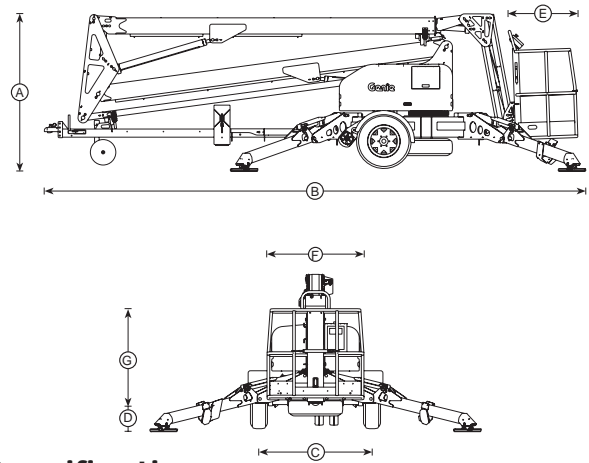
Automatic Leveling System (patents pending)

The exclusive Genie Automatic Leveling System is “self-leveling” and is standard equipment on all TMZ-50/30 models. This system provides industry-leading 10 degrees leveling capability and allows the operator to hydraulically deploy the outriggers and automatically level the machine from the ground controls. Machine setup can be completed in less than 25 seconds when the operator deploys all four outriggers simultaneously.

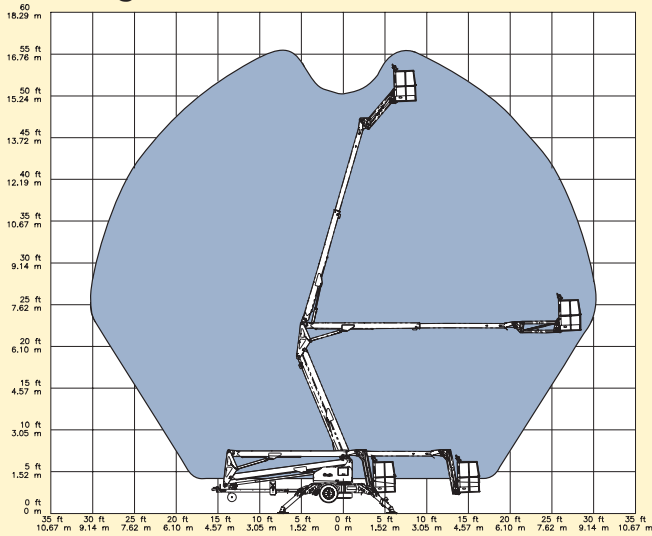
The system self-levels the machine to 1 degree in all directions. The level sensor alarm will not sound unless the machine is over 2 degrees out of level. This built-in tolerance provides resistance to level sensor “nuisance tripping”, which can be a common occurrence on other trailer mounted booms. This feature increases productivity and sets the Genie TMZ-50/30 apart from the competition.

Standard Features

- 56 ft (17.2 m) working height*
- 30 ft (9.1 m) horizontal reach
- Articulating jib has 135° working range
- Compact 65 in (1.65 m) width
- 500 lb (227 kg) lift capacity
- Large, 10 x 10 in (25 x 25 cm) outrigger footpads
- Junction box and shelf to accommodate generators up to 24 x 20 x 16 ½ in (61 x 51 x 42 cm)
- AC wiring to platform
- Surge brakes
- Parking brake
- Horn
- Hour meter



Range of Motion



Options and Accessories

- Material lift attachment device
- Drive and set option
- Air line to platform
- Spare tire
- Fluorescent tube caddy
- Flashing beacon
- Platform rotation (ANSI and CE models only)
- Electric, hydraulic or mechanical surge brakes
- 2 in (50 mm) ball coupler
- 2 5/16 in (6 cm) ball coupler
- 2 1/2 in (6.35 cm) I.D. Pintle ring coupler
- Clevis coupler

Standards Compliance

- ANSI A92.2
- CAN/CSA-C225-M88
- CE Compliance
- AS 1418.10

Specifications

Model	US	Metric
Working height*	56 ft	17.2 m
Platform height	50 ft	15.2 m
Ⓐ Height – stowed	78 in	2 m
Ⓑ Length – stowed	22 ft	6.7 m
Ⓒ Width	65 in	1.65 m
Ⓓ Ground clearance	10 in	25 cm
Ⓔ Platform length	30 in	76 cm
Ⓕ Platform width	48 in	1.22 m
Ⓖ Platform railing height	43 in	1.1 m
Toeboard height	7 in	18 cm
Toeboard height – entry	4 in	10 cm
Entry height	20 in	51 cm
Horizontal reach – from pivot	30 ft	9.1 m
Horizontal reach – from edge of outrigger footpads	23 ft	7 m
Up and over clearance	22 ft	6.7 m
Outrigger footprint – length	14 ft	4.3 m
Outrigger footprint – width	14 ft	4.3 m
Outrigger type	hydraulic	
Leveling capability	10°	10°
Lift capacity		
– ANSI, CE	500 lb	227 kg
– CSA, models with platform rotation option	440 lb	200 kg
Turntable rotation	359° non-continuous	
Towing speed rating	60 mph	97 km/h
Power sources	24V (4 6V 250 AH batteries)	
	Honda Gas 11 hp (8 kw)	
	Hatz Diesel 7 hp (5 kw)	
	Bi-fuel: 24V (4 6V 250 AH batteries) and Honda Gas 11 hp (8 kw)	
	Bi-fuel: 24V (4 6V 250 AH batteries) and Hatz Diesel 7 hp (5 kw)	
Gradeability	20%	20%
Tongue weight	400 lb	181 kg
Machine weight – ANSI, CE	4,600 lb	2,087 kg
– CSA	4,850 lb	2,200 kg

*The metric equivalent of working height adds 2 m to platform height. U.S. adds 6 ft to platform height.

Distributed By:



Genie Industries

One Source Equipment
Keller, TX 76248
817.271.0405

<http://www.onesourceequipment.com>