



**Standards Compliance**

- ANSI A92.2
- CSA C225
- CE Compliance
- AS 1418.10

**Genie United States**

18340 NE 76th Street  
 P.O. Box 97030  
 Redmond, Washington 98073-9730  
 Telephone **(425) 881-1800**  
 Toll Free in USA/Canada **800-536-1800**  
 Fax (425) 883-3475

**Genie Europe**

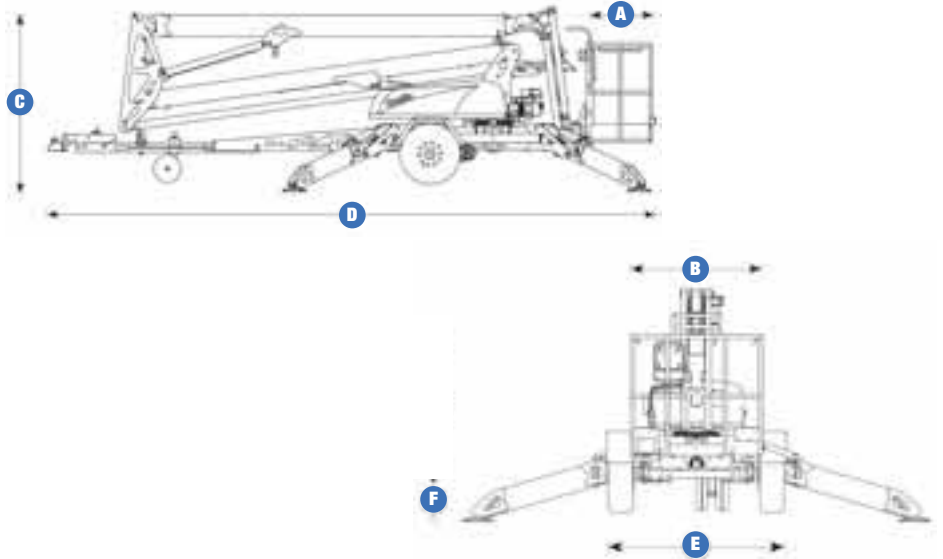
The Maltings  
 Wharf Road  
 Grantham NG31 6BH  
 U.K.  
 Telephone **+44 (0)1476 584333**  
 Fax +44 (0)1476 584334  
 Email: infoeurope@genieind.com

**www.genieindustries.com**

**Distributed By:**

One Source Equipment  
 Keller, TX 76248  
 817.271.0405  
<http://www.onesourceequipment.com>

**Specifications**



**TZ™-34/20**

	<b>US</b>	<b>Metric</b>
--	-----------	---------------

**MEASUREMENTS:**

Working height*	40 ft	12.36m
Platform height	34 ft	10.36 m
Entry height-extended	6.4 in	16 cm
Horizontal reach	18 ft 4 in	5.59 m
Clear out reach	13 ft 5 in	4.09 m
Up and over clearance	16 ft 1 in	4.90 m
<b>A</b> Platform length:	26.8 in	68 in
<b>B</b> Platform width:	44 in	1.12 m
<b>C</b> Height - stowed	6 ft 4.5 in	1.94 m
<b>D</b> Length - stowed	18 ft .5 in	5.50 m
<b>E</b> Width - stowed	4 ft 9.1 in	1.45 m
Length - outrigger footprint	10 ft 8.4 in	3.26 m
Width - outrigger footprint	11 ft 9.4 in	3.59 m
<b>F</b> Ground clearance	9.5 in	24 cm
Lift capacity (ANSI/SIA) - standard	500 lbs	227 kg
Lift capacity (ANSI/SIA)- rotating platform	460 lbs	209 kg
Lift capacity (CE) - standard	440 lbs	200 kg
Lift capacity (CE)- rotating platform	400 lbs	181 kg

**PRODUCTIVITY:**

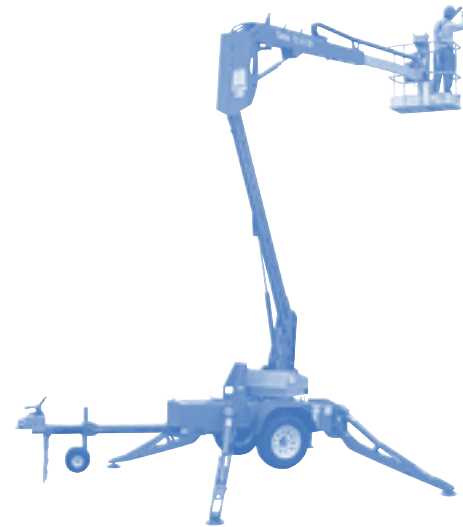
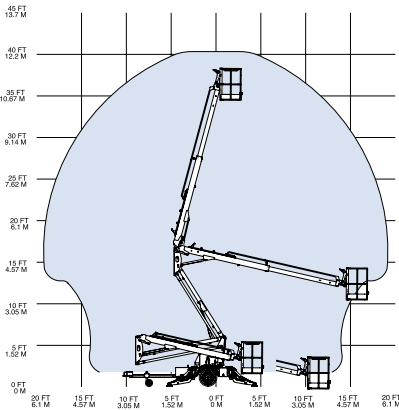
Self leveling platform	standard	
Platform rotation option	45° in each direction	
AC power to platform	standard	
Turntable rotation	359° non-continuous	
Outrigger leveling capability	11°	
Towing speed rate	60 mph	97 km/h
Tongue weight- ANSI/CSA	315 lbs	143 kg
Surge brakes	standard	
Parking brakes	standard	
Controls	variable speed system	
Tire size	ST 205/75 R15	
Coupler	2 in (5.08 cm) hitch coupler standard	

**POWER:**

Power source	24 V DC	(4- 6 V 225 Ah batteries)
Hydraulic tank capacity	2.1 gal	8 L
Fuel system capacity	4.5 gal	17 L
Weight*** (ANSI/SIA)	3,150 lbs	1,432 kg
(CE)	3,170 lbs	1,438 kg

For further information, please contact your local distributor or the Genie Industries sales office listed. Continuous improvement of our products is a Genie policy. Product specifications are subject to change without notice or obligation. The photographs and drawings in this brochure are for illustrative purposes only. Refer to the appropriate Operator's Manual for instructions on the proper use of this equipment. Failure to follow the appropriate Operator's Manual when using our equipment or to otherwise act irresponsibly may result in serious injury or death. Prices and specifications subject to change without notice. The only warranty applicable is the standard written warranty applicable to the particular product and sale. Genie makes no other warranty, expressed or implied. Products and services listed may be trademarks, service marks or trade-names of TEREX Corporation and/or its subsidiaries in the USA and other countries and all rights are reserved. Copyright ©2005 Genie Industries, Inc. "Genie" is a Registered Trademark of Genie Industries, Inc. in the USA and many other countries. Genie is a TEREX Company. TZ34 3K 0305B. Part No. 109372

\* The metric equivalent of working height adds 2 m to platform height. U.S. adds 6 ft to platform height.  
 \*\*Gradeability applies to driving on slopes. See Operator's manual for details regarding slope ratings.  
 \*\*\* Weight will vary depending on options and/or country standards.



## Easily Configured to Meet Your Needs:

### PLATFORM OPTIONS

- Aluminum 26.8 x 44 in (68 x 111 cm) platform
- Platform overload
- 160° hydraulic platform rotation

### POWER OPTION

- 24 V DC Power Source

### COUPLER OPTIONS

- 2 in (5.08 cm) ball coupler
- 2.31 in (5.87 cm) ball coupler
- 2.5 in (6.53 cm) I.D. pintle ring coupler
- Clevis coupler
- Combination hitch

### TIRE OPTION

- ST 205/75 R15 tires

## Standard Features

### MEASUREMENTS:

- TZ™-34/20 has 40 ft (12.36 m) working height
- TZ™-34/20 has 18 ft 4 in (5.59 m) horizontal reach
- Up to 500 lb (227 kg) lift capacity

### PRODUCTIVITY:

- Industry leading working envelope
- Extension boom
- Self-leveling platform
- Variable speed control system
- Emergency pump down
- AC power to platform
- Automatic leveling system
- Tilt alarm / sensor
- Hydraulic outriggers

- Outrigger interlocks and indicator
- 359° non-continuous turntable rotation
- Hour meter
- Surge brakes
- Parking brake
- 2 in (5.08 cm) coupler lever lock
- Hitch pull bar
- Dual jockey wheels
- Fork lift pockets
- Easy to access batteries
- ST 205/75 R15 tires

### POWER:

- 24 V DC power source

## Options and Accessories

### PRODUCTIVITY

- Platform overload system
- 160° Hydraulic Platform rotation
- Tool tray
- Fluorescent tube caddy
- Operational warning light package
- Horn
- Non-marking footpads
- Spare tire
- Wheel chocks
- 2 in (5.08 cm) ball coupler
- 2.31 in (5.87 cm) ball coupler
- 2.5 in (6.53 cm) I.D. pintle ring coupler

- Clevis coupler
- Combination hitch
- Battery charge indicator (BCI)

Order From:

One Source Equipment  
 Keller, Tx  
 817.271.0405  
<http://www.onesourceequipment.com>